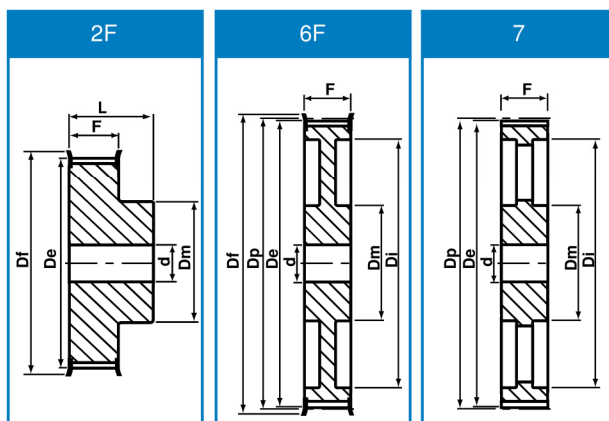


Koła pasowe zębate z otworem pilotażowym

Koła pasowe 14M 55 (pod pas o szer. 55mm)

Liczba zębów	Typ	De	Dp	Df	Dm	Di	F	L	d	Kg
28	2F	122.12	124.78	128.0	100.0	-	70.0	85	24	5.60
29	2F	126.57	129.23	142.0	100.0	-	70.0	85	24	6.10
30	2F	130.99	133.69	142.0	100.0	-	70.0	85	24	6.60
32	2F	139.88	142.60	158.0	100.0	-	70.0	85	24	7.60
34	2F	148.79	151.52	158.0	100.0	-	70.0	85	24	8.60
36	2F	157.68	160.43	168.0	100.0	-	70.0	85	24	9.60
38	2F	166.60	169.34	184.0	120.0	-	70.0	85	24	10.80
40	2F	175.49	178.25	192.0	120.0	-	70.0	85	24	11.20
44	2F	193.28	196.08	211.0	120.0	-	70.0	85	24	12.50
48	6F	211.11	213.90	226.0	135.0	172	70.0	70	24	13.70
56	6F	246.76	249.55	265.0	135.0	207	70.0	70	28	14.50
64	6F	282.41	285.21	296.0	135.0	242	70.0	70	28	15.60
72	7	318.06	320.86	-	135.0	278	70.0	70	28	16.90
80	7	353.71	356.51	-	135.0	314	70.0	70	28	20.00
90	7	398.28	401.07	-	135.0	358	70.0	70	28	22.60
112	7	496.32	499.11	-	135.0	456	70.0	70	28	29.50
144	7	638.92	641.71	-	135.0	600	70.0	70	28	39.00
168	7	745.87	748.66	-	135.0	706	70.0	70	28	48.50
192	7	852.82	855.62	-	135.0	813	70.0	70	28	57.80
216	7	959.76	962.57	-	150.0	920	70.0	70	28	67.0



Koła pasowe 14M 85 (pod pas o szer. 85mm)

Liczba zębów	Typ	De	Dp	Df	Dm	Di	F	L	d	Kg
28	2F	122.12	124.78	128.0	100.0	-	102.0	117	24	7.70
29	2F	126.57	129.23	142.0	100.0	-	102.0	117	24	8.40
30	2F	130.99	133.69	142.0	100.0	-	102.0	117	24	9.10
32	2F	139.88	142.60	158.0	100.0	-	102.0	117	24	10.50
34	2F	148.79	151.52	158.0	100.0	-	102.0	117	24	11.90
36	2F	157.68	160.43	168.0	100.0	-	102.0	117	32	13.20
38	2F	166.60	169.34	184.0	120.0	-	102.0	117	32	15.15
40	2F	175.49	178.25	192.0	135.0	-	102.0	117	32	17.10
44	2F	193.28	196.08	211.0	135.0	-	102.0	117	32	23.30
48	2F	211.11	213.90	226.0	150.0	-	102.0	117	32	25.00
56	6F	246.76	249.55	265.0	150.0	207	102.0	102	32	25.00
64	6F	282.41	285.21	296.0	150.0	242	102.0	102	32	30.50
72	7	318.06	320.86	-	150.0	278	102.0	102	32	28.80
80	7	353.71	356.51	-	150.0	314	102.0	102	32	30.10
90	7	398.28	401.07	-	150.0	358	102.0	102	32	33.00
112	7	496.32	499.11	-	150.0	456	102.0	102	32	41.80
144	7	638.92	641.71	-	150.0	600	102.0	102	32	52.40
168	7	745.87	748.66	-	150.0	706	102.0	102	32	60.30
192	7	852.82	855.62	-	165.0	813	102.0	102	32	70.20
216	7	959.76	962.57	-	165.0	920	102.0	102	32	81.00