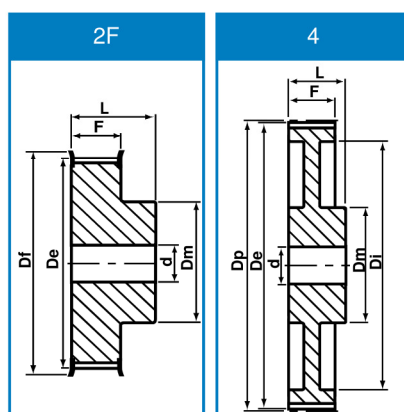


Koła pasowe zębate z otworem pilotażowym



Koła pasowe 5M 09 (pod pas o szer. 9 mm)

Liczba zębów	Typ	De	Dp	Df	Dm	Di	F	L	d	Kg
12	2F	17.96	19.10	23.0	13.0	-	14.5	20.0	6	0.02
14	2F	21.14	22.28	25.0	14.0	-	14.5	20.0	6	0.03
15	2F	22.73	23.87	28.0	16.0	-	14.5	20.0	6	0.04
16	2F	24.32	25.46	28.0	16.5	-	14.5	20.0	6	0.05
18	2F	27.51	28.65	32.0	20.0	-	14.5	20.0	6	0.07
20	2F	30.69	31.83	37.0	23.0	-	14.5	22.5	6	0.09
21	2F	32.28	33.42	38.0	24.0	-	14.5	22.5	6	0.11
22	2F	33.87	35.01	38.0	25.5	-	14.5	22.5	6	0.11
24	2F	37.06	38.20	43.0	27.0	-	14.5	22.5	6	0.14
26	2F	40.24	41.38	44.0	30.0	-	14.5	22.5	6	0.17
28	2F	43.42	44.56	48.0	30.5	-	14.5	22.5	6	0.20
30	2F	46.60	47.75	51.0	35.0	-	14.5	22.5	6	0.23
32	2F	49.79	50.93	54.0	38.0	-	14.5	22.5	8	0.27
36	2F	56.16	57.30	60.0	38.0	-	14.5	22.5	8	0.32
40	2F	62.52	63.66	70.0	38.0	-	14.5	22.5	8	0.40
44	4	68.89	70.03	-	38.0	-	14.5	25.5	8	0.17
48	4	75.25	76.39	-	45.0	-	14.5	25.5	8	0.18
60	4	94.35	95.49	-	45.0	-	14.5	25.5	8	0.23
72	4	113.45	114.59	-	45.0	-	14.5	25.5	8	0.27



Koła pasowe 5M 15 (pod pas o szer. 15mm)

Number of Teeth	Type	De	Dp	Df	Dm	Di	F	L	d	Weight Kg
12	2F	17.96	19.10	23.0	13.0	-	20.5	26.0	6	0.03
14	2F	21.14	22.28	25.0	14.0	-	20.5	26.0	6	0.04
15	2F	22.73	23.87	28.0	16.0	-	20.5	26.0	6	0.05
16	2F	24.32	25.45	28.0	17.0	-	20.5	26.0	6	0.06
18	2F	27.51	28.65	32.0	20.0	-	20.5	26.0	6	0.08
20	2F	30.69	31.83	37.0	23.0	-	20.5	26.0	6	0.11
21	2F	32.28	33.42	38.0	24.0	-	20.5	26.0	6	0.13
22	2F	33.87	35.01	38.0	26.0	-	20.5	26.0	6	0.14
24	2F	37.06	38.20	43.0	27.0	-	20.5	28.0	6	0.18
26	2F	40.24	41.38	44.0	30.0	-	20.5	28.0	6	0.22
28	2F	43.42	44.56	48.0	31.0	-	20.5	28.0	6	0.25
30	2F	46.60	47.75	51.0	35.0	-	20.5	28.0	6	0.30
32	2F	49.79	50.93	54.0	38.0	-	20.5	28.0	8	0.35
36	2F	56.16	57.30	60.0	38.0	-	20.5	28.0	8	0.42
40	2F	62.52	63.66	70.0	38.0	-	20.5	28.0	8	0.52
44	4	68.89	70.03	-	38.0	-	20.5	30.0	8	0.22
48	4	75.25	76.39	-	38.0	-	20.5	30.0	8	0.28
60	4	94.35	95.49	-	50.0	-	20.5	30.0	8	0.30
72	4	113.45	114.59	-	50.0	-	20.5	30.0	8	0.36