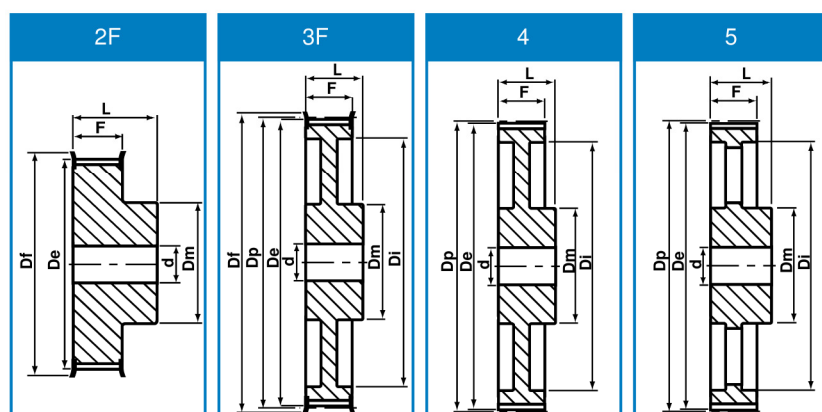


Koła pasowe zębate z otworem pilotażowym



Koła pasowe 5M 25 (pod pas o szer. 25mm)

Liczba zębów	Typ	De	Dp	Df	Dm	Di	F	L	d	Kg
12	2F	17.96	19.10	23.0	13.0	-	30.5	36.0	6	
14	2F	21.14	22.28	25.0	14.0	-	30.5	36.0	6	
15	2F	22.73	23.87	28.0	16.0	-	30.5	36.0	6	
16	2F	24.32	25.45	28.0	16.5	-	30.5	36.0	6	
18	2F	27.51	28.65	32.0	20.0	-	30.5	36.0	6	
20	2F	30.69	31.83	37.0	23.0	-	30.5	36.0	6	
21	2F	32.28	33.42	38.0	24.0	-	30.5	38.0	6	
22	2F	33.87	35.01	38.0	25.5	-	30.5	38.0	6	
24	2F	37.06	38.20	43.0	27.0	-	30.5	38.0	6	
26	2F	40.24	41.38	44.0	30.0	-	30.5	38.0	6	
28	2F	43.42	44.56	48.0	30.5	-	30.5	38.0	6	
30	2F	46.60	47.75	51.0	35.0	-	30.5	38.0	6	
32	2F	49.79	50.93	54.0	38.0	-	30.5	38.0	8	
36	2F	56.16	57.30	60.0	38.5	-	30.5	38.0	8	
40	2F	62.52	63.66	70.0	38.0	-	30.5	38.0	8	
44	4	68.89	70.03	-	38.0	-	30.5	40.0	8	
48	4	75.25	76.39	-	38.0	-	30.5	40.0	8	
60	4	94.35	95.49	-	50.0	-	30.5	40.0	8	
72	4	113.45	114.59	-	50.0	-	30.5	40.0	8	



Koła pasowe 8M 20 (pod pas o szer. 20mm)

Liczba zębów	Typ	De	Dp	Df	Dm	Di	F	L	d	Kg
22	2F	54.65	56.02	60.0	43.0	-	28.0	38	12	0.54
24	2F	59.75	61.12	67.0	45.0	-	28.0	38	12	0.65
26	2F	64.85	66.21	70.0	50.0	-	28.0	38	12	0.80
28	2F	70.08	71.30	75.0	50.0	-	28.0	38	16	0.87
30	2F	75.13	76.39	83.0	55.0	-	28.0	38	16	1.02
32	2F	80.16	81.49	87.0	60.0	-	28.0	38	16	1.20
34	2F	85.22	86.58	91.0	70.0	-	28.0	38	16	1.40
36	2F	90.30	91.67	97.0	70.0	-	28.0	38	16	1.55
38	2F	95.39	96.77	102.0	75.0	-	28.0	38	16	1.65
40	2F	100.49	101.86	106.0	75.0	-	28.0	38	16	1.74
44	2F	110.67	112.05	120.0	75.0	-	28.0	38	16	2.10
48	2F	120.86	122.23	128.0	75.0	-	28.0	38	16	2.44
56	3F	141.23	142.60	150.0	80.0	117	28.0	38	16	2.60
64	3F	161.60	162.97	168.0	80.0	137	28.0	38	16	2.90
72	3F	181.97	183.35	192.0	80.0	158	28.0	38	16	3.10
80	4	202.35	203.72	-	90.0	180	28.0	38	16	3.80
90	4	227.81	229.18	-	90.0	204	28.0	38	16	4.20
112	5	283.83	285.21	-	90.0	260	28.0	38	16	5.20
144	5	365.32	366.69	-	90.0	341	28.0	38	20	7.50
168	5	426.44	427.81	-	100.0	402	28.0	38	20	10.00
192	5	487.55	488.92	-	100.0	463	28.0	38	20	14.40