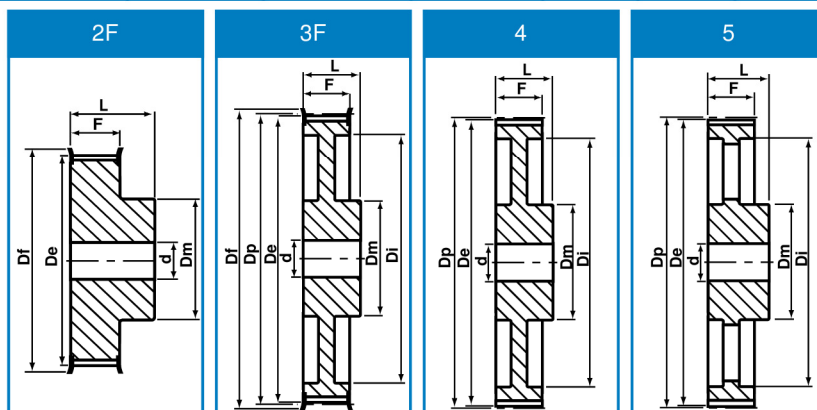


Koła pasowe zębate z otworem pilotażowym



Koła pasowe 8M 30 (pod pas o szer. 30mm)

Liczba zębów	Typ	De	Dp	Df	Dm	Di	F	L	d	Kg
22	2F	54.65	56.02	60.0	43.0	-	38.0	48	12	0.69
24	2F	59.75	61.12	67.0	45.0	-	38.0	48	12	0.84
26	2F	64.85	66.21	70.0	50.0	-	38.0	48	12	1.00
28	2F	70.08	71.30	75.0	50.0	-	38.0	48	16	1.12
30	2F	75.13	76.39	83.0	55.0	-	38.0	48	16	1.32
32	2F	80.16	81.49	87.0	60.0	-	38.0	48	16	1.53
34	2F	85.22	86.58	91.0	70.0	-	38.0	48	16	1.80
36	2F	90.30	91.67	97.0	70.0	-	38.0	48	16	1.99
38	2F	95.39	96.77	102.0	75.0	-	38.0	48	16	2.27
40	2F	100.49	101.86	106.0	75.0	-	38.0	48	16	2.40
44	2F	110.67	112.05	120.0	75.0	-	38.0	48	16	2.80
48	2F	120.86	122.23	128.0	75.0	-	38.0	48	16	3.20
56	3F	141.23	142.60	150.0	80.0	117	38.0	48	16	3.60
64	3F	161.60	162.97	168.0	80.0	138	38.0	48	16	4.30
72	3F	181.97	183.35	192.0	80.0	158	38.0	48	16	4.80
80	4	202.35	203.72	-	90.0	180	38.0	48	16	5.10
90	4	227.81	229.18	-	90.0	204	38.0	48	16	5.70
112	5	283.83	285.21	-	90.0	260	38.0	48	16	6.80
144	5	365.32	366.69	-	90.0	341	38.0	48	20	9.30
168	5	426.44	427.81	-	100.0	402	38.0	48	20	11.40
192	5	487.55	488.92	-	100.0	463	38.0	48	20	16.00



Koła pasowe 8M 50 (pod pas o szer. 50mm)

Liczba zębów	Typ	De	Dp	Df	Dm	Di	F	L	d	Kg
22	2F	54.65	56.02	60.0	43.0	-	60.0	70	12	1.00
24	2F	59.75	61.12	67.0	45.0	-	60.0	70	12	1.23
26	2F	64.84	66.21	70.0	50.0	-	60.0	70	12	1.50
28	2F	70.08	71.30	75.0	50.0	-	60.0	70	16	1.67
30	2F	75.13	76.39	83.0	55.0	-	60.0	70	16	1.97
32	2F	80.16	81.49	87.0	60.0	-	60.0	70	16	2.27
34	2F	85.22	86.58	91.0	70.0	-	60.0	70	16	2.69
36	2F	90.30	91.67	97.0	70.0	-	60.0	70	16	2.97
38	2F	95.39	96.77	102.0	75.0	-	60.0	70	16	3.23
40	2F	100.49	101.86	106.0	75.0	-	60.0	70	18	3.50
44	2F	110.67	112.05	120.0	75.0	-	60.0	70	18	3.90
48	2F	120.86	122.23	128.0	80.0	-	60.0	70	18	4.30
56	6F	141.23	142.60	150.0	90.0	117	60.0	60	18	5.00
64	6F	161.60	162.97	168.0	100.0	137	60.0	60	18	5.60
72	6F	181.97	183.35	192.0	100.0	158	60.0	60	18	6.80
80	7	202.35	203.72	-	110.0	180	60.0	60	18	6.90
90	7	227.81	229.18	-	110.0	204	60.0	60	18	8.60
112	7	283.83	285.21	-	110.0	260	60.0	60	18	9.60
144	7	365.32	366.69	-	110.0	341	60.0	60	20	13.80
168	7	426.44	427.81	-	120.0	402	60.0	60	20	16.00
192	7	487.55	488.92	-	130.0	463	60.0	60	20	22.40