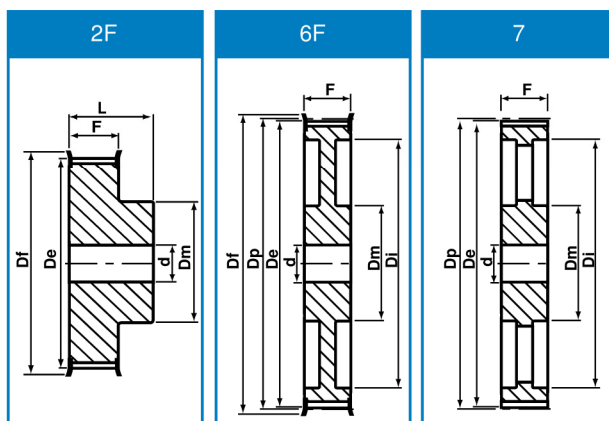


# Koła pasowe zębate z otworem pilotażowym

## Koła pasowe 14M 115 (pod pas o szer. 115mm)

Liczba zębów	Typ	De	Dp	Df	Dm	Di	F	L	d	Kg
28	2F	122.12	124.78	128.0	100.0	-	133.0	148	32	9.20
29	2F	126.57	129.23	142.0	100.0	-	133.0	148	32	10.20
30	2F	130.99	133.69	142.0	100.0	-	133.0	148	32	11.20
32	2F	139.88	142.60	158.0	100.0	-	133.0	148	32	13.20
34	2F	148.79	151.52	158.0	100.0	-	133.0	148	32	14.80
36	2F	157.68	160.43	168.0	100.0	-	133.0	148	32	16.60
38	2F	166.60	169.34	184.0	120.0	-	133.0	148	32	19.20
40	2F	175.49	178.25	192.0	135.0	-	133.0	148	32	20.56
44	2F	193.28	196.08	211.0	140.0	-	133.0	148	32	21.93
48	2F	211.11	213.90	226.0	150.0	-	133.0	148	32	25.00
56	2F	246.76	249.55	265.0	150.0	-	133.0	148	32	27.50
64	6F	282.41	285.21	296.0	150.0	242	133.0	133	32	30.10
72	7	318.06	320.86	-	150.0	278	133.0	133	32	32.83
80	7	353.71	356.51	-	150.0	314	133.0	133	32	35.55
90	7	398.28	401.07	-	150.0	358	133.0	133	32	41.00
112	7	496.32	499.11	-	150.0	456	133.0	133	32	54.40
144	7	638.92	641.71	-	165.0	600	133.0	133	32	67.80
168	7	745.87	748.66	-	165.0	706	133.0	133	32	75.80
192	7	852.82	855.62	-	165.0	813	133.0	133	32	88.30
216	7	959.76	962.57	-	165.0	920	133.0	133	32	98.00



## Koła pasowe 14M 170 (pod pas o szer. 170mm)

Liczba zębów	Typ	De	Dp	Df	Dm	Di	F	L	d	Kg
28	2F	122.12	124.78	128.0	100.0	-	187.0	202	32	13.80
29	2F	126.57	129.23	142.0	100.0	-	187.0	202	32	14.20
30	2F	130.99	133.69	142.0	100.0	-	187.0	202	32	15.60
32	2F	139.88	142.60	158.0	100.0	-	187.0	202	32	18.10
34	2F	148.79	151.52	158.0	100.0	-	187.0	202	32	20.40
36	2F	157.68	160.43	168.0	120.0	-	187.0	202	32	23.50
38	2F	166.60	169.34	184.0	135.0	-	187.0	202	32	26.50
40	2F	175.49	178.25	192.0	135.0	-	187.0	202	32	30.10
44	2F	193.28	196.08	211.0	160.0	-	187.0	202	32	37.80
48	2F	211.11	213.90	226.0	160.0	-	187.0	202	32	44.50
56	2F	246.76	249.55	265.0	160.0	-	187.0	202	32	61.00
64	2F	282.41	285.21	296.0	180.0	-	187.0	202	32	81.00
72	6	318.06	320.86	-	180.0	278	187.0	187	32	61.40
80	6	353.71	356.51	-	180.0	314	187.0	187	32	65.00
90	7	398.28	401.07	-	180.0	358	187.0	187	38	68.00
112	7	496.32	499.11	-	200.0	456	187.0	187	38	87.50
144	7	638.92	641.71	-	220.0	600	187.0	187	38	114.00
168	7	745.87	748.66	-	220.0	706	187.0	187	38	125.00
192	7	852.82	855.62	-	220.0	813	187.0	187	38	136.40
216	7	959.76	962.57	-	220.0	920	187.0	187	38	147.00