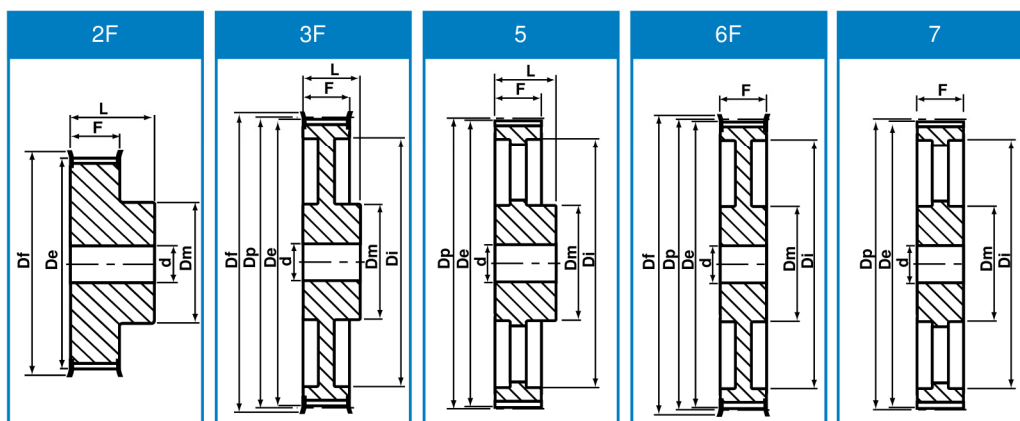


# Koła pasowe zębate z otworem pilotażowym

## Koła pasowe 8M 85 (pod pas o szer. 85mm)

Liczba zębów	Typ	De	Dp	Df	Dm	Di	F	L	d	Kg
22	2F	54.65	56.02	60.0	43.0	-	95.0	105	12	1.55
24	2F	59.75	61.12	67.0	45.0	-	95.0	105	12	1.90
26	2F	64.84	66.21	70.0	50.0	-	95.0	105	12	2.25
28	2F	70.08	71.30	75.0	50.0	-	95.0	105	16	2.55
30	2F	75.13	76.39	83.0	55.0	-	95.0	105	16	3.00
32	2F	80.16	81.49	87.0	60.0	-	95.0	105	16	3.57
34	2F	85.22	86.58	91.0	70.0	-	95.0	105	16	4.00
36	2F	90.30	91.67	97.0	70.0	-	95.0	105	16	4.50
38	2F	95.39	96.77	102.0	75.0	-	95.0	105	16	4.90
40	2F	100.49	101.86	106.0	75.0	-	95.0	105	16	5.20
44	2F	110.67	112.05	120.0	75.0	-	95.0	105	18	6.60
48	2F	120.86	122.23	128.0	80.0	-	95.0	105	18	7.60
56	2F	141.23	142.60	150.0	90.0	-	95.0	105	18	9.80
64	6F	161.60	162.97	168.0	100.0	137	95.0	95	20	10.40
72	6F	181.97	183.35	192.0	100.0	158	95.0	95	20	11.40
80	7	202.35	203.72	-	110.0	180	95.0	95	20	13.20
90	7	227.81	229.18	-	110.0	204	95.0	95	20	16.30
112	7	283.83	285.21	-	110.0	260	95.0	95	25	21.50
144	7	365.32	366.69	-	110.0	341	95.0	95	25	23.60
168	7	426.44	427.81	-	120.0	402	95.0	95	25	26.10
192	7	487.55	488.92	-	130.0	463	95.0	95	25	30.60



## Koła pasowe 14M 40 (pod pas o szer. 40mm)

Liczba zębów	Typ	De	Dp	Df	Dm	Di	F	L	d	Kg
28	2F	122.12	124.78	128.0	100.0	-	54.0	69	24	4.73
29	2F	126.57	129.23	142.0	100.0	-	54.0	69	24	5.09
30	2F	130.99	133.69	142.0	100.0	-	54.0	69	24	5.45
32	2F	139.88	142.60	158.0	100.0	-	54.0	69	24	6.17
34	2F	148.79	151.52	158.0	100.0	-	54.0	69	24	6.88
36	2F	157.68	160.43	168.0	100.0	-	54.0	69	24	7.60
38	2F	166.60	169.34	184.0	120.0	-	54.0	69	24	8.28
40	2F	175.49	178.25	192.0	120.0	-	54.0	69	24	9.26
44	2F	193.28	196.08	211.0	120.0	-	54.0	69	24	10.32
48	3F	211.11	213.90	226.0	135.0	172	54.0	69	24	11.50
56	3F	246.76	249.55	265.0	135.0	207	54.0	69	28	13.05
64	3F	282.41	285.21	296.0	135.0	242	54.0	69	28	14.40
72	5	318.06	320.86	-	135.0	278	54.0	69	28	16.90
80	5	353.71	356.51	-	135.0	314	54.0	69	28	18.50
90	5	398.28	401.07	-	135.0	358	54.0	69	28	20.00
112	5	496.32	499.11	-	135.0	456	54.0	69	28	26.70
144	5	638.92	641.71	-	135.0	600	54.0	69	28	35.00
168	5	745.87	748.66	-	135.0	706	54.0	69	28	44.20
192	5	852.82	855.62	-	135.0	813	54.0	69	28	52.20
216	5	959.76	962.57	-	150.0	920	54.0	69	28	60.00