

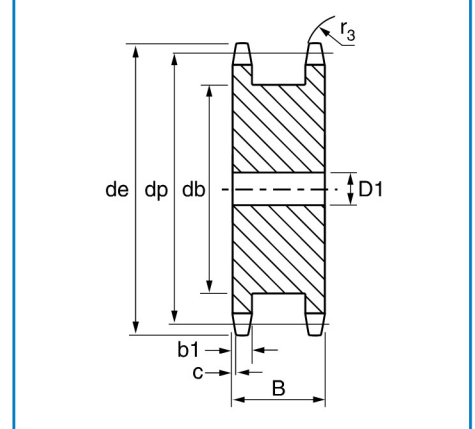
Koła łańcuchowe dla dwóch pojedynczych łańcuchów

Koła łańcuchowe

06B 3/8" x 7/32"	
Koło	mm
r_3	10.00
c	1.00
b1	6.35

Zęby	de	dp	B	db	D1
14	46.3	42.80	23.5	31	10
15	49.3	54.81	23.5	34	10
16	52.3	48.82	23.5	37	10
17	55.3	51.83	23.5	40	10
18	58.3	54.85	23.5	43	10
19	61.3	57.87	23.5	46	10
20	64.3	60.89	23.5	48	10
21	68.0	63.91	23.5	52	10
23	73.5	69.95	23.5	58	10
25	80.0	76.00	23.5	64	10

Koło dla dwóch poj. łańc.



08B 1/2" x 5/16"	
Koło	mm
r_3	13.00
c	1.30
b1	7.20

Zęby	de	dp	B	db	D1
12	53.0	49.07	31	35	12
13	57.4	53.06	31	38	12
14	61.8	57.07	31	41	12
15	65.6	61.09	31	45	12
16	69.5	65.10	31	49	12
17	73.6	69.11	31	53	12
18	77.8	73.14	31	58	12
19	81.7	77.16	31	62	12
20	85.8	81.19	31	66	12
21	89.7	85.22	31	70	18
23	98.2	93.27	31	78	18
25	105.8	101.33	31	86	18

10B 5/8" x 3/8"	
Koło	mm
r_3	16.00
c	1.60
b1	9.20

Zęby	de	dp	B	db	D1
12	68.0	61.34	36.5	45	19
13	73.0	66.32	36.5	50	19
14	78.0	71.34	36.5	55	19
15	83.0	76.36	36.5	60	19
16	88.0	81.37	36.5	65	19
17	93.0	86.39	36.5	70	19
18	98.3	91.42	36.5	75	19
19	103.3	96.45	36.5	80	19
20	108.4	101.49	36.5	85	19
21	113.4	106.52	36.5	90	19
23	123.4	116.58	36.5	100	19
25	134.0	126.66	36.5	110	19

12B 3/4" x 7/16"	
Koło	mm
r_3	19.00
c	2.00
b1	11.20

Zęby	de	dp	B	db	D1
12	81.5	73.61	45	53	24
13	87.5	79.59	45	59	24
14	93.6	85.61	45	65	24
15	99.8	91.63	45	71	24
16	105.5	97.65	45	77	24
17	111.5	103.67	45	83	24
18	118.0	109.71	45	89	24
19	124.2	115.75	45	95	24
20	129.7	121.78	45	101	24
21	136.0	127.82	45	107	24
23	149.0	139.90	45	119	24
25	160.0	152.00	45	131	24

16B 1" x 17.2 mm	
Koło	mm
r_3	26.00
c	2.50
b1	16.20

Zęby	de	dp	B	db	D1
12	109.0	98.14	63.5	72	25
13	117.0	106.12	63.5	81	25
14	125.0	114.15	63.5	88	25
15	133.0	122.17	63.5	97	25
16	141.0	130.20	63.5	104	25
17	149.0	138.22	63.5	113	25
18	157.0	146.28	63.5	121	25
19	165.2	154.33	63.5	129	25
20	173.2	162.38	63.5	137	25
21	181.2	170.43	63.5	145	25
23	197.5	186.53	63.5	161	25
25	213.5	202.66	63.5	177	25