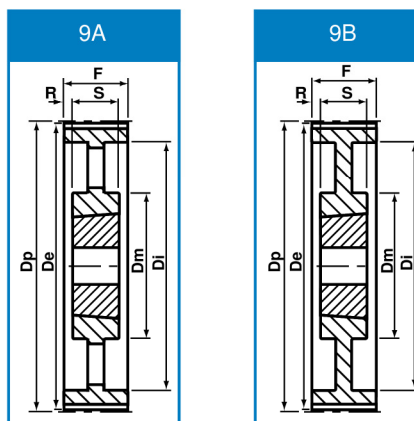


Koła pasowe pod Taper Lock



Koła pasowe 14M 55 (pod pas o szer. 55 mm)

Oznaczenie	ilość zębów	Typ	Taper Lock	Material	Dp	De	Df	Dm	Di	F	S	R	Kg
28-14M-55	28	4FB	2012	żeliwo	124.78	122.12	127.00	-	98	70	32	19.00	2.20
29-14M-55	29	4FB	2012		129.23	126.57	138.00	-	100	70	32	19.00	2.74
30-14M-55	30	4FB	2517		133.69	130.99	138.00	-	100	70	45	12.50	2.70
32-14M-55	32	4FB	2517		142.60	139.88	154.00	-	108	70	45	12.50	3.66
34-14M-55	34	4FB	2517		151.52	148.79	160.00	-	110	70	45	12.50	4.55
36-14M-55	36	4FB	2517		160.43	157.68	168.00	-	120	70	45	12.50	5.20
38-14M-55	38	4FB	2517		169.34	166.60	183.00	-	130	70	45	12.50	6.20
40-14M-55	40	4FB	2517		178.25	175.49	188.00	-	138	70	45	12.50	7.00
44-14M-55	44	4FB	3020		196.08	193.28	211.00	-	155	70	51	9.50	8.60
48-14M-55	48	4FB	3020		213.90	211.11	226.00	-	170	70	51	9.50	10.40
56-14M-55	56	4FW	3020		249.55	246.76	256.00	170	208	70	51	9.50	12.00
64-14M-55	64	4FW	3020		285.21	282.41	296.00	170	242	70	51	9.50	14.50
72-14M-55	72	9B	3020		320.86	318.06	-	170	280	70	51	9.50	16.20
80-14M-55	80	9A	3020		356.51	353.71	-	170	315	70	51	9.50	17.50
90-14M-55	90	9A	3020		401.07	398.28	-	170	360	70	51	9.50	20.10
112-14M-55	112	9A	3020		499.11	496.32	-	170	457	70	51	9.50	28.40
144-14M-55	144	9A	3020		641.71	638.92	-	170	600	70	51	9.50	36.20
168-14M-55	168	9A	3020		748.66	745.87	-	170	706	70	51	9.50	49.00
192-14M-55	192	9A	3020		855.62	852.82	-	170	813	70	51	9.50	53.00
216-14M-55	216	7A	3535		962.57	959.76	-	190	920	70	89	9.50	65.90



Koła pasowe 14M 85 (pod pas o szer. 85 mm)

Oznaczenie	ilość zębów	Typ	Taper Lock	Material	Dp	De	Df	Dm	Di	F	S	R	Kg
28-14M-85	28	4FB	2517	Żeliwo	124.78	122.12	127.00	-	98	102	45	28.50	2.70
29-14M-85	29	4FB	2517		129.23	126.57	138.00	-	100	102	45	28.50	3.40
30-14M-85	30	4FB	2517		133.69	130.99	138.00	-	100	102	45	28.50	3.75
32-14M-85	32	4FB	2517		142.60	139.88	154.00	-	108	102	45	28.50	4.80
34-14M-85	34	4FB	2517		151.52	148.79	160.00	-	110	102	45	28.50	6.00
36-14M-85	36	4FB	3020		160.43	157.68	168.00	-	125	102	51	25.50	5.80
38-14M-85	38	4FB	3020		169.34	166.60	183.00	-	130	102	51	25.50	6.80
40-14M-85	40	4FB	3020		178.25	175.49	188.00	-	138	102	51	25.50	8.00
44-14M-85	44	4FB	3030		196.08	193.28	211.00	-	155	102	76	13.00	11.80
48-14M-85	48	4FB	3030		213.90	211.11	226.00	-	170	102	76	13.00	15.10
56-14M-85	56	4FB	3535		249.55	246.76	256.00	190	210	102	89	6.50	18.00
64-14M-85	64	4FW	3535		285.21	282.41	296.00	190	242	102	89	6.50	23.00
72-14M-85	72	9B	3535		320.86	318.06	-	190	280	102	89	6.50	25.00
80-14M-85	80	9A	3535		356.51	353.71	-	190	315	102	89	6.50	26.00
90-14M-85	90	9A	3535		401.07	398.28	-	190	360	102	89	6.50	28.00
112-14M-85	112	9A	3535		499.11	496.32	-	190	457	102	89	6.50	36.50
144-14M-85	144	9A	3535		641.71	638.92	-	190	600	102	89	6.50	48.00
168-14M-85	168	9A	3535		748.66	745.87	-	190	706	102	89	6.50	60.00
192-14M-85	192	3A	4040		855.62	852.82	-	230	813	102	102	-	86.00
216-14M-85	216	3A	4040		962.57	959.76	-	230	920	102	102	-	91.50