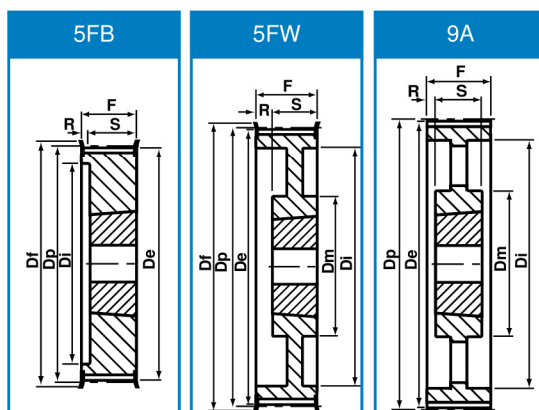


Koła pasowe calowe pod Taper Lock



Koła pasowe 1/2" (12.70mm) H150

Ilość zębów	Typ	Taper Lock	De	Dp	Df	Dm	Di	F	S	R	Kg
18	5FB	1210	71.39	72.77	79	-	53	45	25	20.0	0.6
19	5FB	1210	75.44	76.81	83	-	56	45	25	20.0	0.7
20	5FB	1210	79.48	80.55	87	-	60	45	25	20.0	0.8
21	5FB	1210	83.52	84.89	91	-	64	45	25	20.0	1.0
22	5FB	1210	87.56	88.94	94	-	68	45	25	20.0	1.2
23	5FB	1610	91.61	92.98	102	-	71	45	25	20.0	1.3
24	5FB	1610	95.65	97.02	102	-	74	45	25	20.0	1.0
25	5FB	1610	99.69	101.06	112	-	78	45	25	20.0	1.2
26	5FB	1610	103.73	105.11	112	-	82	45	25	20.0	1.4
27	5FB	1610	107.78	109.15	120	-	87	45	25	20.0	1.6
28	5FB	1610	111.82	113.19	120	-	91	45	25	20.0	1.8
30	5FB	1610	119.90	121.28	128	-	99	45	25	20.0	2.3
32	5FW	1610	127.99	129.36	135	92	108	45	25	20.0	2.3
36	5FW	1610	144.16	145.53	158	92	124	45	25	20.0	3.1
40	5FW	1610	160.33	161.70	168	92	140	45	25	20.0	4.0
44	5FW	2012	176.50	177.87	184	106	153	45	32	13.0	4.4
48	5FW	2012	192.67	194.04	200	106	169	45	32	13.0	4.8
60	9A	2012	241.18	242.55	-	106	223	46	32	7.5	5.4
72	9A	2012	289.69	291.06	-	106	270	46	32	7.5	6.5
84	9A	2012	338.20	339.57	-	106	320	46	32	7.5	8.4
96	9A	2517	386.71	388.08	-	119	366	46	45	0.5	11.0



Koła pasowe 1/2" (12.70mm) H200

Ilość zębów	Typ	Taper Lock	De	Dp	Df	Dm	Di	F	S	R	Kg
18	5FB	1210	71.39	72.77	79	-	52	58	25	33.0	0.8
19	5FB	1210	75.44	76.81	83	-	56	58	25	33.0	0.9
20	5FB	1610	79.48	80.55	87	-	60	58	25	33.0	1.0
21	5FB	1610	83.52	84.89	91	-	64	58	25	33.0	1.7
22	5FB	1610	87.56	88.94	94	-	68	58	25	33.0	1.5
23	5FB	1610	91.61	92.98	102	-	71	58	25	33.0	1.8
24	5FB	1610	95.65	97.02	102	-	74	58	25	33.0	1.5
25	5FB	1610	99.69	101.06	112	-	78	58	25	33.0	1.5
26	5FB	1610	103.73	105.11	112	-	82	58	25	33.0	1.8
27	5FB	1610	107.78	109.15	120	-	87	58	25	33.0	1.9
28	5FB	1610	111.82	113.19	120	-	91	58	25	33.0	2.3
30	5FB	1610	119.90	121.28	128	-	99	58	25	33.0	3.0
32	5FB	2012	127.99	129.36	135	-	107	58	32	26.0	3.0
36	5FW	2012	144.16	145.53	158	102	124	58	32	26.0	3.6
40	5FW	2012	160.33	161.70	168	106	140	58	32	26.0	4.0
44	5FW	2012	176.50	177.87	184	106	153	58	32	26.0	4.6
48	5FW	2517	192.67	194.04	200	119	169	58	45	13.0	7.0
60	9A	2517	241.18	242.55	-	119	223	60	45	7.5	8.0
72	9A	2517	289.69	291.06	-	119	270	60	45	7.5	9.0
84	9A	2517	338.20	339.57	-	119	320	60	45	7.5	10.0
96	9A	2517	386.71	388.08	-	119	366	60	45	7.5	13.4