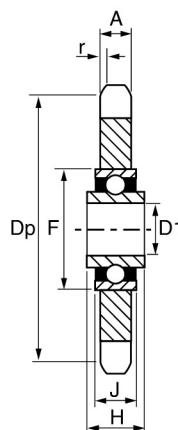
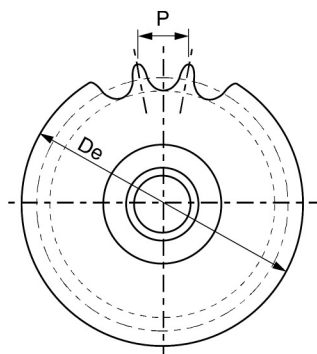


## Koła łańcuchowe



łańcuch	Podziałka x odl. między płytkami	zęby	Wymiary łożysk						
			de	dp	A	D1	H	F	J
05B	8 mm x 3 mm	23	62.0	58.75	2.8	16	18.3	40	12
06B	3/8" x 7/32"	21	68.0	63.91	5.3	16	18.3	40	12
81	1/2" x 1/8"	18	78.9	73.14	3.0	16	18.3	40	12
83	1/2" x 3/16"	18	78.9	73.14	4.5	16	18.3	40	12
84	1/2" x 3/16"	18	78.9	73.14	4.5	16	18.3	40	12
08B	1/2" x 5/16"	16	69.5	65.10	7.2	16	18.3	40	12
08B	1/2" x 5/16"	18	77.8	73.14	7.2	16	18.3	40	12
10B	5/8" x 3/8"	14	78.0	71.34	9.1	16	18.3	40	12
10B	5/8" x 3/8"	15	83.0	76.36	9.1	16	18.3	40	12
10B	5/8" x 3/8"	17	93.0	86.30	9.1	16	18.3	40	12
12B	3/4" x 7/16"	13	87.5	79.59	11.1	16	18.3	40	12
12B	3/4" x 7/16"	15	99.8	91.63	11.1	16	18.3	40	12
16B	1" x 17.02 mm	12	109.0	98.14	16.2	20	17.7	47	14
20B	1.1/4" x 3/4"	13	147.8	132.65	18.5	25	21.0	52	15

łańcuch	Podziałka x odl. między płytkami	zęby	Wymiary łożysk						
			de	dp	A	D1	H	F	J
ASA 35	3/8" x 3/16"	20	65.77	60.89	4.4	16.00	18.3	40	12
ASA 40	1/2" x 5/16"	17	75.68	69.12	7.4	16.00	18.3	40	12
ASA 40	1/2" x 5/16"	18	79.70	73.14	7.4	16.00	18.3	40	12
ASA 50	5/8" x 3/8"	15	83.00	76.36	9.0	16.00	18.3	40	12
ASA 50	5/8" x 3/8"	17	93.00	86.39	9.0	16.00	18.3	40	12
ASA 60	3/4" x 1/2"	13	89.49	79.59	12.0	16.00	18.3	40	12
ASA 60	3/4" x 1/2"	15	101.52	91.63	12.0	16.00	18.3	40	12
ASA 80	1" x 5/8"	12	103.28	90.14	15.0	19.05	17.7	47	14